

# PRODUCTS INSTALLATION AND USER MANUAL

---

# Table of Contents

Before mounting.....	2
Mounting Instructions.....	4
Touch Switch Manual.....	6
Sensor Switch Manual.....	6
Touch Clock Manual.....	7
Bluetooth Speaker Manual.....	8
Heating Matt Manual.....	8
White Weather Station Manual.....	9
Colorful Weather Station Manual.....	10
Warranty Card.....	12
Technical Data.....	13
Connecting to power.....	14

## Before mounting

1. Read the Instructions, as they contain key information regarding the mounting and use of the product.



**Failure to follow the recommendations may result in the warranty void.**

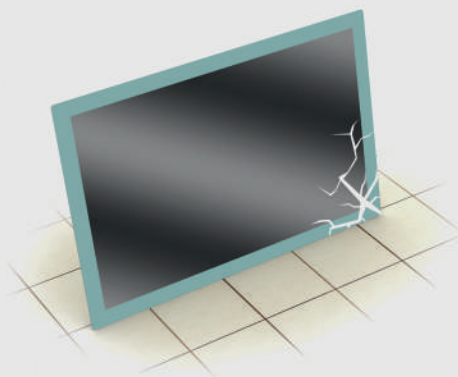
2. After unpacking the product, check its status and never place the product directly on the floor.

Edges and corners of the mirror are fragile, hence always place it on a soft surface. Reuse original protective corner guards for the time of mirror mounting.

Please note that claims relating to mechanical damage will not be considered once the seals have been removed from the mounting components.



**CORRECT**



**INCORRECT**

3. If you notice any shortages, defects or if the product does not correspond to your order, please contact our Customer Service.



[hello@glasmo.de](mailto:hello@glasmo.de)

#### 4. Tools needed:

- Pencil
- Measure
- Spirit level
- Pins and hooks (included)
- Drill and screwdriver
- 8mm drill bit
- Electrical connections, e.g. WAGO cubes

For large format mirrors and cabinets, the help of a second person will be useful.

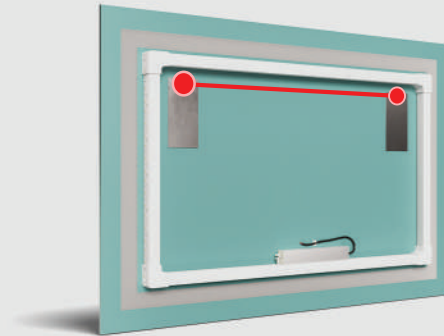
#### **Tips:**

1. If the mirror is to be mounted on a wall made of **plaster-cardboard panels**, we recommend the use of hooks and dowels adapted to such a surface, e.g. Molly.
2. Before mounting the product, please check that there are no pipes or electrical cables running in the areas which have been designated for drilling. If so, please designate other areas.
3. In order to ensure that the PremiumLine mirror is fixed **firmly to the wall**, we recommend attaching gel bumpers included in the set to each corner of the mirror housing.

# Assembly instructions

1. Determine where to mount the mirror on the wall and start by measuring the distance between the centres of the hanging brackets / centres of the holes

Please note that the appearance of the mirror may vary depending on the chosen model.



2. Using the measurements you have taken, mark two points on the wall which will be used for drilling the holes. Ensure that distances between the mirror hangers/holes and the points marked on the wall are the same.



3. After you have designated the mounting points on the wall, drill holes in them, then place wall plugs at the appropriate distance from the wall.

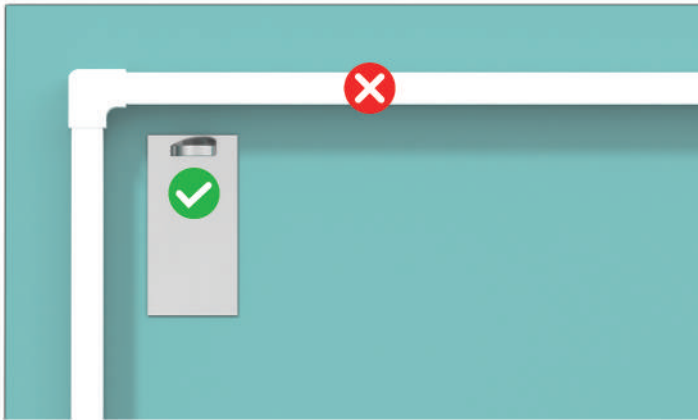
4. Next screw L-hooks into the wall plugs. Make sure, however, that the hooks are not overtightened.

5. Check whether the L-hooks are correctly mounted in the holes to ensure that the mirror is firmly fixed to the wall.

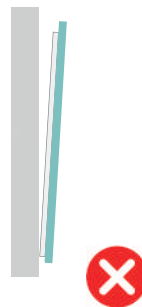
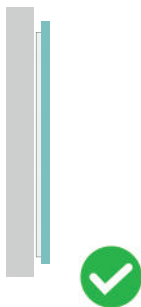
6. Hang the mirror on the L-hooks. After hanging the mirror, remove the protective film and plastic corners from the surface of the mirror.



**Make sure the mirror hangs on the designated hanger. Be careful not to suspend the mirror on the plastic profile!**



**The mirror should be parallel to the wall. If this is not the case, check the length of the L-hooks again.**



## Touch Switch Manual

1. Press a button highlighted in white to turn the lighting on/off ●
2. While the lighting is turned on, illumination of the switch operates at 50% of its power.



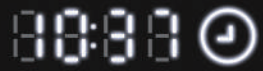
## Sensor Switch Manual

1. In order to turn the lighting on/off, move your hand 5 cm in parallel in front of the switch symbol.




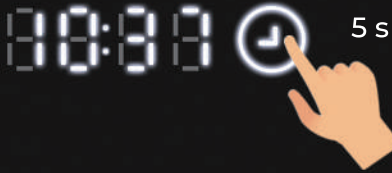
The sensor is marked on the mirror sheet with the following symbol with warm colour: ●

# Touch Clock Manual



1. If you want to change the settings of the watch, hold the symbol

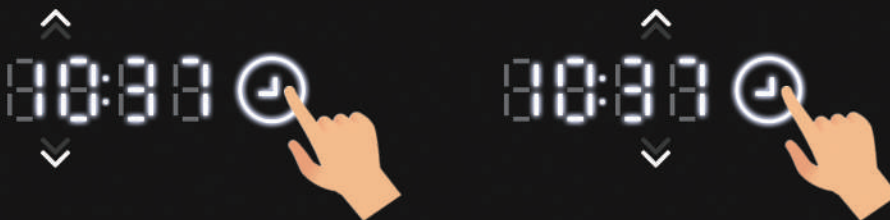
 for five seconds – the Settings editor will then open.



2. First set the format in which the time should be displayed. Select the desired time format via quick clicks: 12-hour or 24-hour format.



3. After 5 seconds, the watch will automatically change to the time setting mode. Use short clicks to select the correct hour value. Wait another 5 seconds, then set minutes.





# Bluetooth Speaker Manual


1. Connect the mirror to the power supply.
2. Activate Bluetooth on the mobile device and make sure it is visible to unknown devices.
3. Search for the device named Mirror Speaker on the available devices list.



**Enter access key: 7412.**

4. Control can only be performed by a connected device.

# Heating Mat Manual

1. Press  highlighted in white to turn the lightning on/off. While the mat is turned on, the illumination of the switch operates at 50% of its power.
2. **Area of operation:** the minimum size of evaporation is 20 x 30 cm while the maximum size is 40 x 60 cm – the size of the evaporated area depends on the size of a chosen mirror and the setup of other accessories limiting the surface area of the mirror sheet.

# White Weather Station Manual



The station supports routers transmitting in 2.4 GHz only.

1. Download the WiseMirror app  from the Play Store or AppStore to set up the station.



Google Play



App Store

2. When connected to the power supply, the station will enter setup mode and the display will show "SCAN".



In case the station displays "Error", reset the station by disconnecting and reconnecting it five times!

3. Once the application has started, follow the instructions displayed on the screen.

4. Click on the button in the top right corner of the application ("+" sign).

5. Next, select your own WiFi network, enter the password for your router and confirm by clicking "next" to have the app connect the device to the Internet.

6. Once the device is correctly set up, it will automatically connect to the Wi-Fi network and pair with the application.



When the station displays "ERROR" or "JOIN", reset the station by unplugging and plugging it several times, keeping 5-second intervals between reconnection attempts.



It is advised to keep the application software up to date, as this increases overall performance and improves the security of the device.

## Colorful Weather Station Manual



Weather and time data are retrieved from the Internet, while information about internal temperature, i.e., humidity and temperature, is obtained through a sensor included in the kit. During the initial configuration, place the sensor near a mirror, then move it to a secure location to avoid splashing during use.

To ensure the station displays information correctly, it needs to be paired with the Tuya Smart application. Follow these steps:

1. Download the Tuya Smart app from the Play Store (for Android) or the AppStore (for iOS).
2. After installing the app, register as a user and log in to your account. Configuration of the app as a "Guest" user is not possible.



Google Play



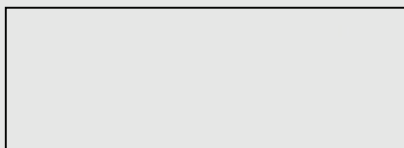
App Store

3. Before configuring the network, make sure your mobile phone is correctly connected to the 2.4 GHz internet network.
4. Enable Bluetooth and location sharing on your mobile phone.
5. Open the app and click the "+" button in the right corner of the screen, then follow the on-screen prompts.

## Warranty Card

### Guarantor:

FORAM Sp. z o.o. sp. k.  
Jeziorna 3, Karpicko  
64-200 Wolsztyn  
Poland



**Seller's signature and stamp**

### Warranty Rules

The Seller, on behalf of the Warrantee, provides a guarantee for purchased goods for a period of 24 months from the date of sale.

Defects or damage discovered during the guarantee period will be rectified free of charge within 14 working days of the return of an object of sale.

During the guarantee period, the Warrantee will repair the product free of charge or replace it with a new one. If these obligations cannot be fulfilled, the purchaser is entitled to a reduced price of the product (in the proportion in which the value of a defective product remains to the value of a non-defective product) or to a refund of the price paid (for the return of a defective product).

The warranty does not cover:

- damage not resulting from a product defect, in particular mechanical damage and damage resulting from improper use
- damage caused by mounting
- damage caused by overvoltage
- defects caused by improper use and storage
- defects caused by inadequate maintenance
- defects caused by unauthorised modifications, alterations, or changes to the structure (unauthorised changes can lead to electric shock)

The product should be checked before mounting. If any defects or incomplete components are noticed, the product should not be mounted on pain of forfeiture of the warranty. The purchaser shall deliver defective goods to the point of sale at their own expense.

**NOTE! The equipment is intended for indoor use only.**

**THE USE OF THE EQUIPMENT CONTRARY TO THE WARRANTY CONDITIONS WILL RESULT IN THE FORFEITURE OF THE WARRANTY. THIS CONSUMER GOODS WARRANTY DOES NOT EXCLUDE, LIMIT OR SUSPEND THE PURCHASER'S RIGHTS ARISING FROM THE NON-CONFORMITY OF THE GOODS WITH THE CONTRACT**

### Safety

This symbol indicates that the product must not be disposed of with other household waste. The law prohibits, under penalty of a fine, the storage of waste electrical equipment together with other waste.



By taking care to dispose of the product properly, you can prevent the potential negative effects on human health and the environment, which could arise from inappropriate handling of waste generated from used equipment.

## Technical information:

Before connecting the device to the electric network, make sure that it is compatible with the data given on the device's rating plate. The electrical connection may only be made by a person with appropriate electrical skills.

The mounting kit does not include a terminal block. The circuit to which the product will be connected should be equipped with a residual-current device (RCD).



### Mirror without cover

The product contains a light source with energy efficiency class G. Light source and separate control equipment must be replaced by a person with electrical skills.



### Mirror with cover/cabinet

The product contains a light source with energy efficiency class G. Light source and separate control equipment cannot be replaced.



Each product has different technical specifications, these details can be found on the label on the back of the product. The ranges of individual values are shown below.

## Technical data

**Power supply input voltage:** 110V | 230 V AC

**Power supply output voltage:** 12V | 24V AC

**Rated power:** 18W – 180W

**IP rating:** IP20

**Protection class:** 1,2

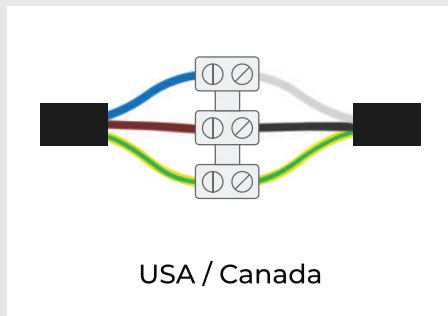
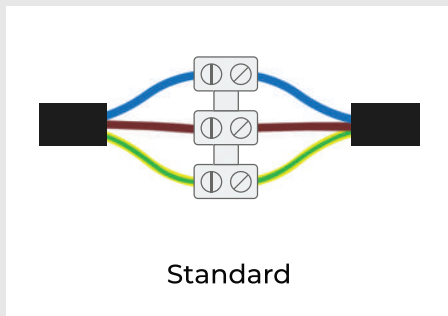
**Producer:** FORAM Sp. z.o.o. sp. k

Information on how to disassemble the lighting at the end of its service life is available at.

## Connection to the electric network

To connect the product to the electricity network, use an electrical connector, e.g. a WAGO block.

Please follow the rules for working with electrical wiring or seek the help of an electrician.



For a setup that does not include an illumination switch in our product range, there will be two power cords behind the mirror.

The cord that powers the lighting should be connected to the wall switch.

Smart accessories, stations and a watch require a constant power supply to continuously display information.

A device connected to a wall switch will turn off every time you cut the power, e.g. by turning the lighting off in the mirror.

---

**FORAM Sp. z o.o. sp. k.**

Karpicko ul. Jeziorna 3  
64-200 Wolsztyn  
NIP 923-172-93-78

**If you have any questions  
or problems, please contact  
us by email at:**

hello@glasmo.de